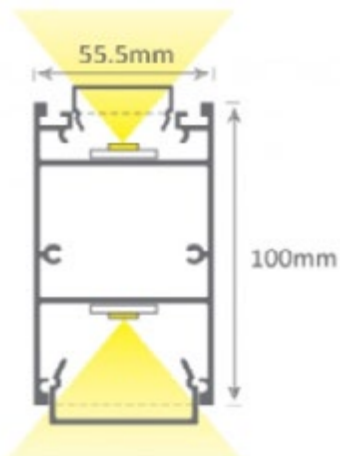
POWERED BY  
**PHILIPS****7** Year  
warranty**Power / Dimming**

240v (integral driver)  
Non-Dim / DALI touch dim & bluetooth

**CRI80** (90 on request)**Light Source**

Philips ZHAGA Fortimo LED board

**Performance** (\*4000k)

16 W/m, 1347lm/m (2275lm/m up down)  
19 W/m, 1761lm/m (2975lm/m up down)  
26 W/m, 2278lm/m (3850lm/m up down)  
35 W/m, 3004lm/m (4620lm/m up down)

**Colour temperature**

3000k | 4000k | 5000k

**Beam angle**

Fully diffused - Opal

**Finish**

Aluminium | Black | White

**Mounting**

Surface (ceiling or wall) | suspended  
(wires or rods)

**IP Rating** IP20 | IP55**Dimensions**

55.5 mm W x 100 mm H

**Bends**

45°, 90°, 'T', 'X' & 'Y' Sections, Custom  
bends

**Weight** 3.8kg/m