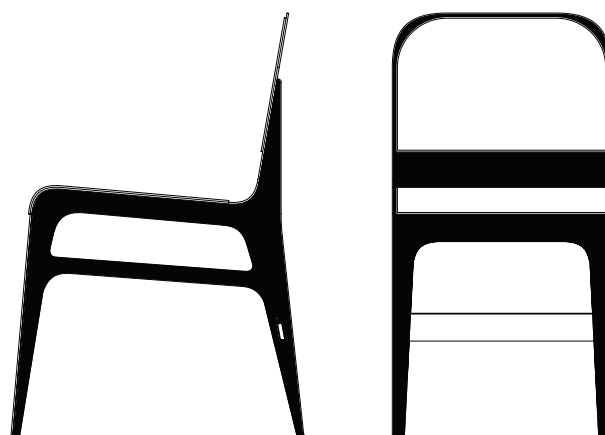

BARDOT

Chair



GABRIEL SCOTT
EST 2012



www.GabrielScott.com

BARDOT

Chair

1/4

The epitome of chic, with distinct legs and a beautiful silhouette, the BARDOT series is aptly named after the French style icon.

Strutting atop a base of black steel with distinct brass, copper and nickel hardware; thin profiled seats and back cushions are hand stitched in fine French pebbled leather – available in nude pink, slate grey or navy blue options. Available in chair, counter-height and bar-height stool options.

All Gabriel Scott pieces are handmade in Canada.



GABRIEL SCOTT

EST. 2012



372 Broome Street, New York, NY 10013
(212) 837-2923 • info@GabrielScott.com

www.GabrielScott.com

BARDOT

Chair

2/4



BARDOT

Chair

3/4



GABRIEL SCOTT
EST. 2012



372 Broome Street, New York, NY 10013
(212) 837-2923 • info@GabrielScott.com

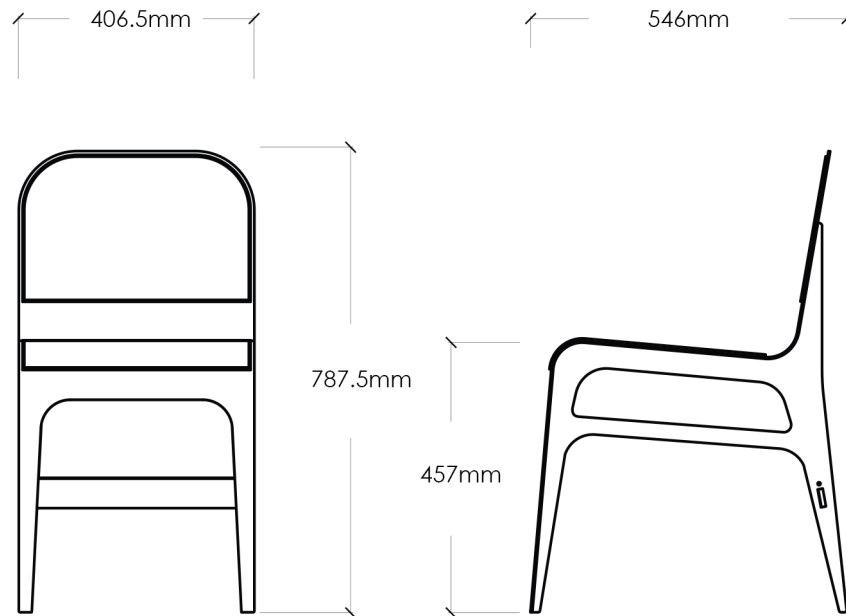
www.GabrielScott.com

BARDOT Chair

4/4

Spec sheet

Product name: **Bardot Chair**
Dimensions: **406.5mm x 546mm x 787.5mm H (457mm H seat)**



Standard Finishes

Standard Finish Options:

Base: **Matte Black**

Hardware: **Satin Brass, Satin Copper or Satin Nickel**

Pebbled French Leather: **Nude-Pink, Slate-Gray, Navy Blue or Black**

